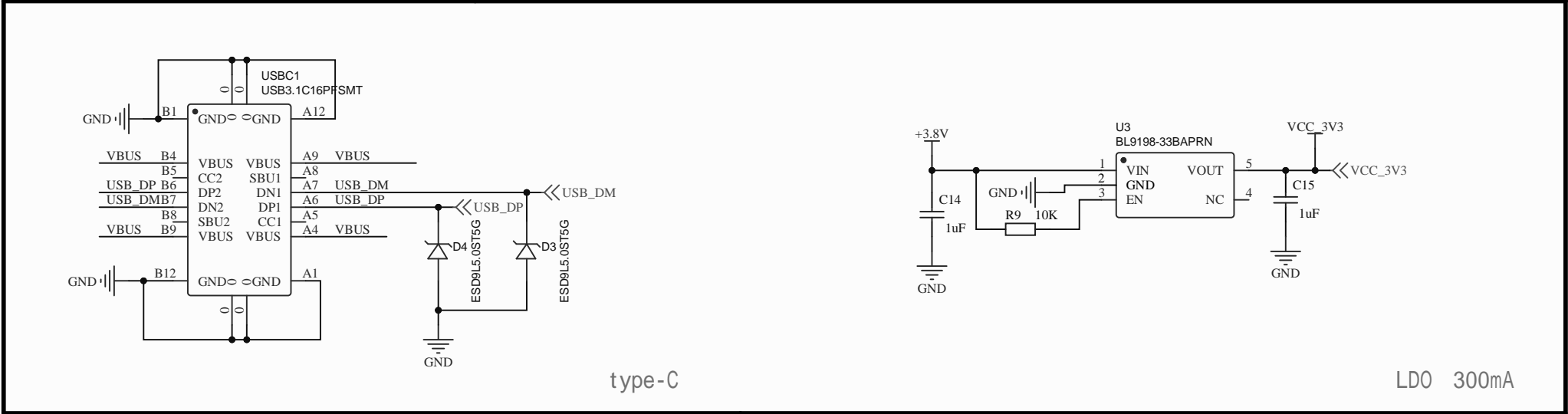
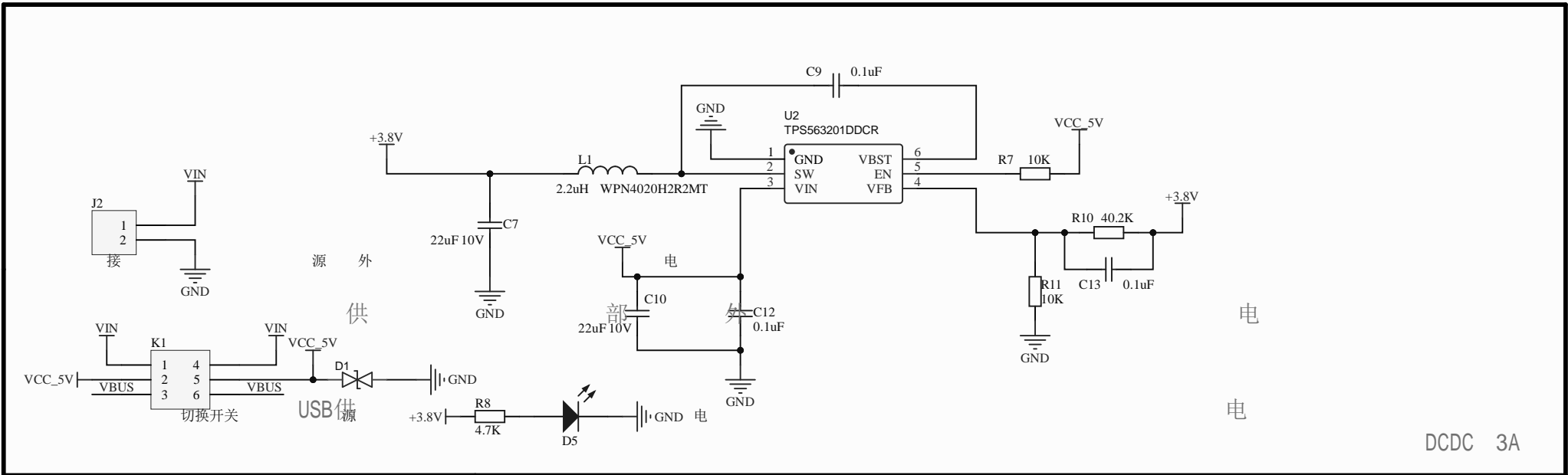
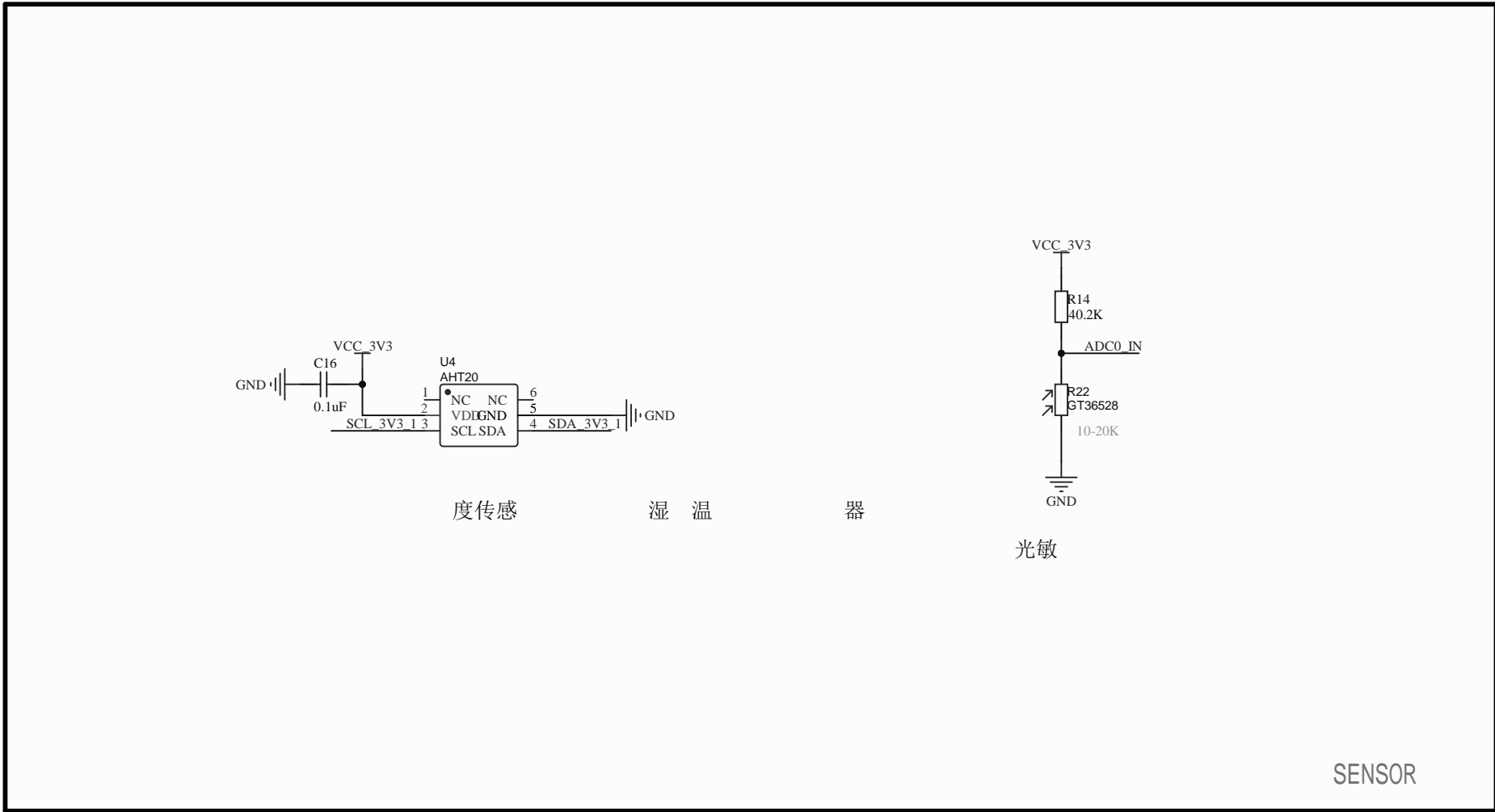


Title EC600X		
Size A2	Number	Revision
Date 3-31-2023	Sheet of 1	Drawn By:
File G:\1_1_EC600S_SchDoc\项		



Title		
Size	Number	Revision
A4		
Date:	3-31-2023	Sheet of
File:	G:\ 目 \..2.POWER.SchDoc 项	Drawn By:

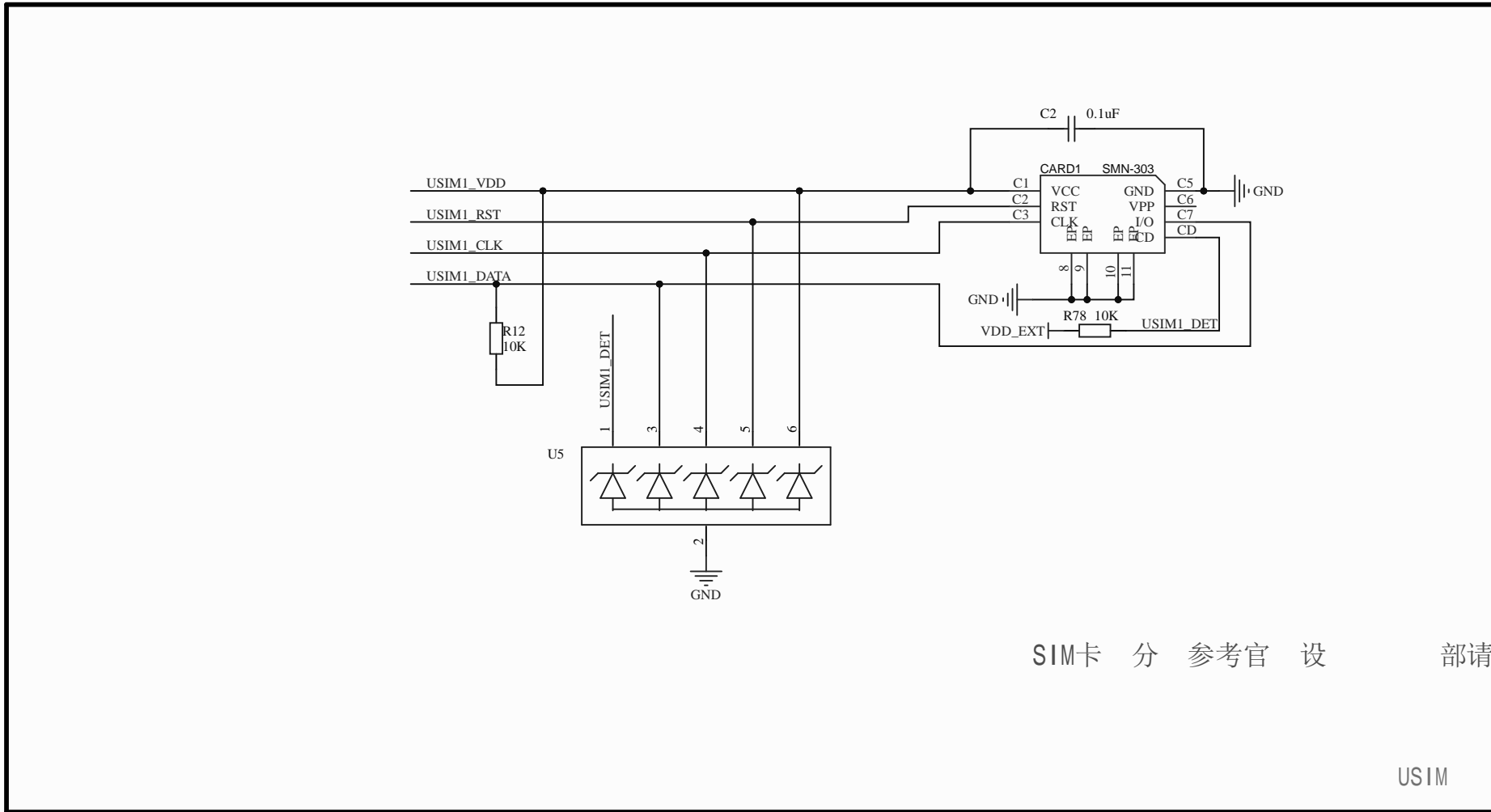


度传感 湿 温 器

光敏

SENSOR

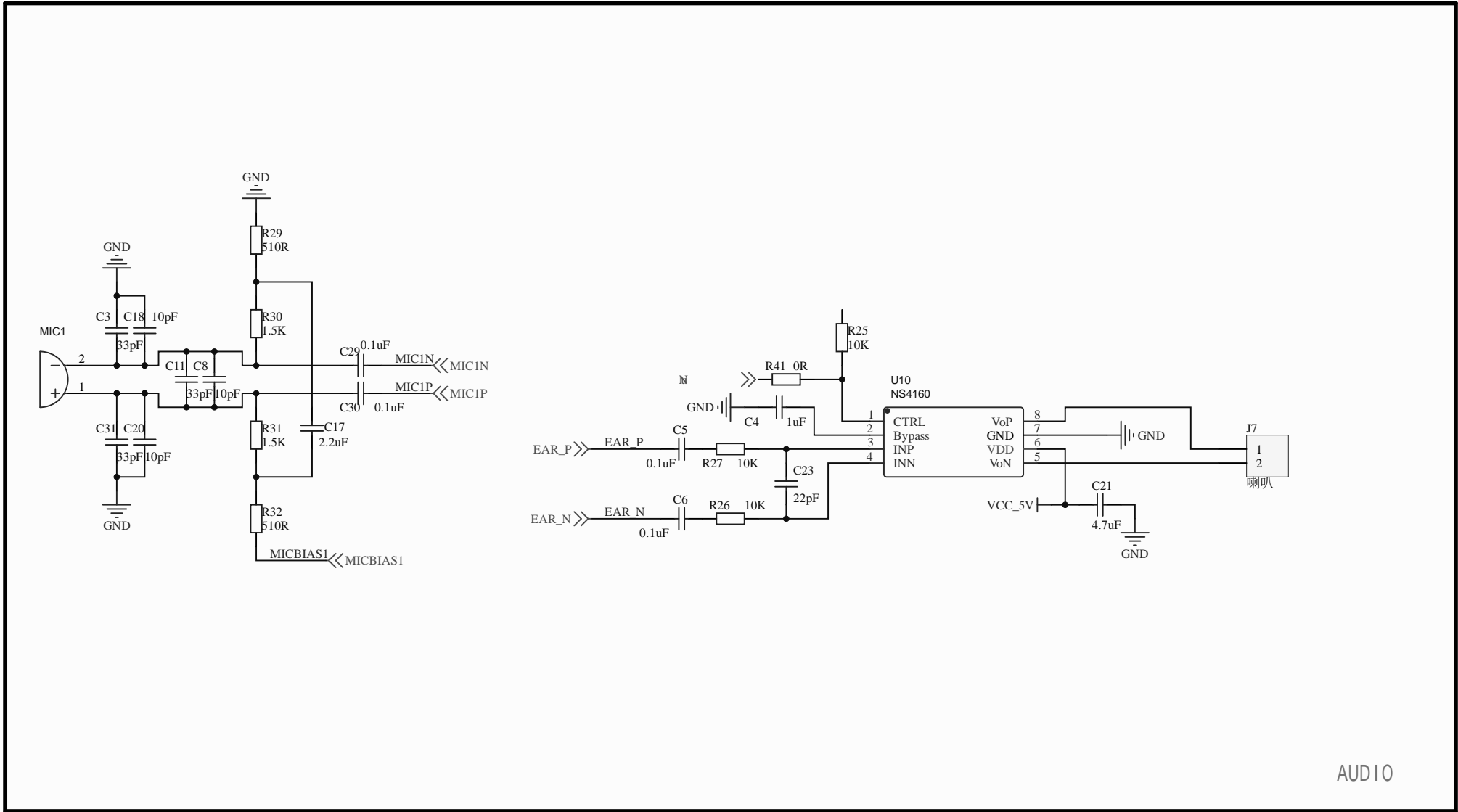
Title		
Size	Number	Revision
A4		
Date:	3-31-2023	Sheet of
File:	G:\ 目 \. \3.SENSOR+EEPROM.SchDoc Drawn By:	



SIM卡 分 参考官 设 部请 方

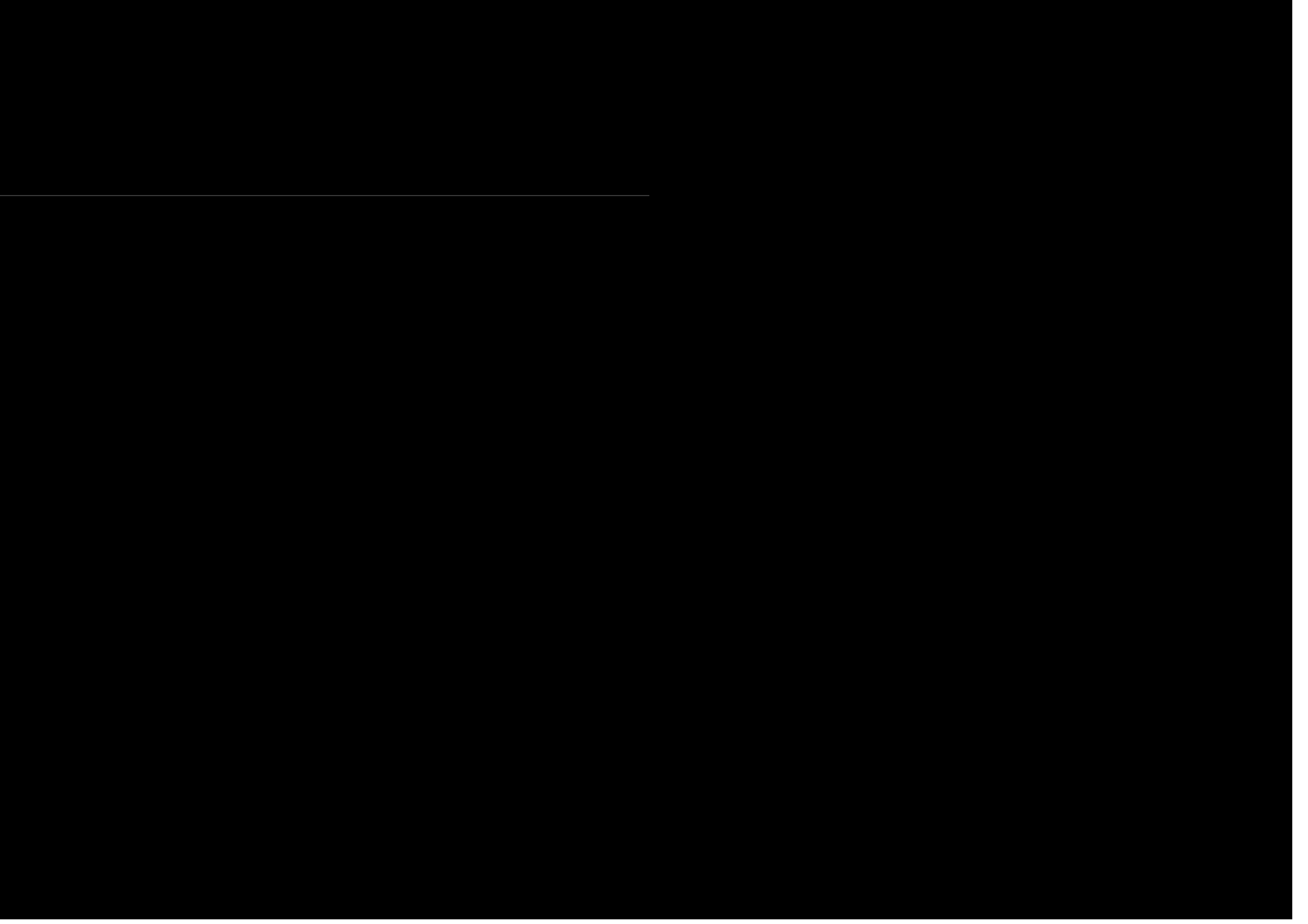
USIM

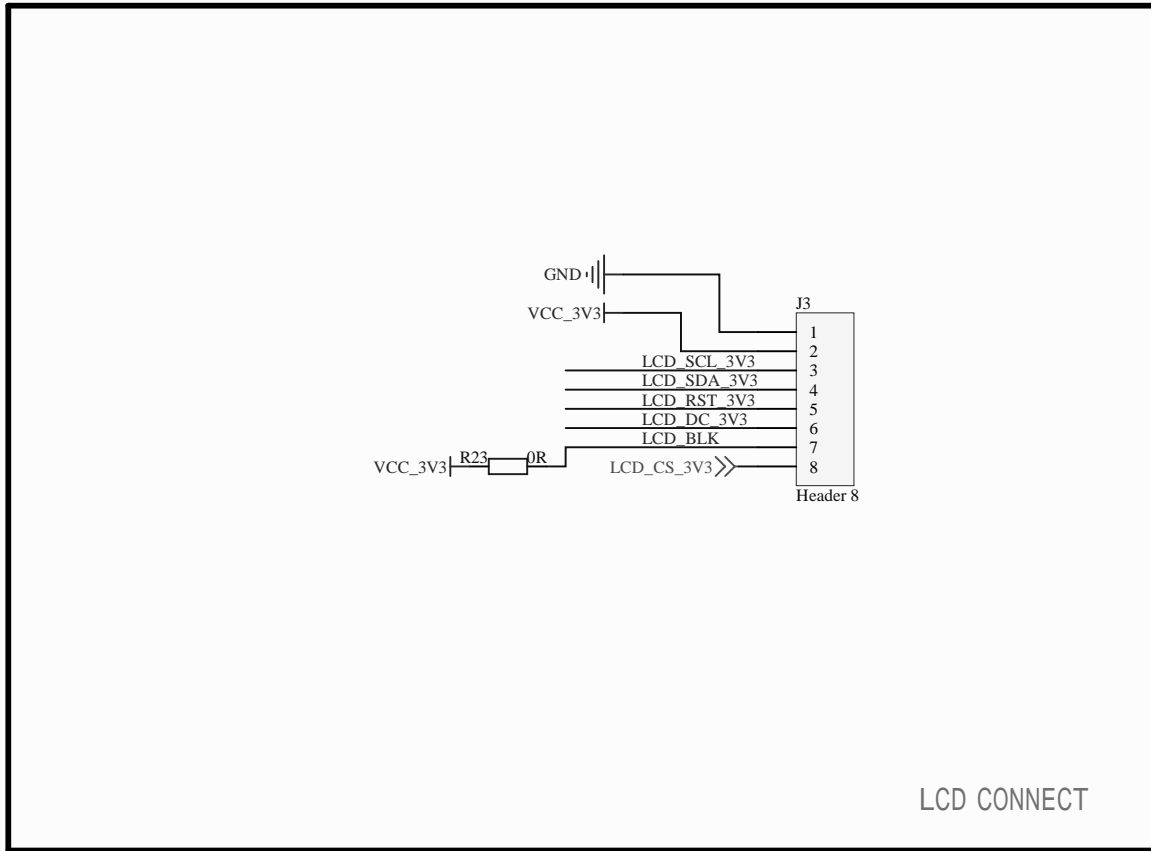
Title		
Size	Number	Revision
A4		
Date:	3-31-2023	Sheet of
File:	G:\ 目 \.4.SIM-CARD.Sch1	Drawn By:



AUDIO

Title		
Size	Number	Revision
A4		
Date:	3-31-2023	Sheet of
File:	G:\目\5.AUDIO.SchDoc 项	Drawn By:





LCD CONNECT

Title		
Size A4	Number	Revision
Date:	3-31-2023	Sheet of
File:	G:\ 目 \.7.LCM.SchDoc 项	Drawn By: